

## The Operational Technology solution for all buildings

Optigo Connect Hybrid takes all buildings into the 21st century, with a single pane of glass view for networks running on copper (CAT6), single-mode fiber, multi-mode fiber, or any combination.

Flexible design makes it easy to start with a piece of the Optigo solution and grow over time. Put Optigo Connect into every building, regardless of the need for a single standalone switch, a few switches connected by copper cables, or a large network with mixed cabling. Whether a small or large, new or retrofit project, any building can benefit from this smart building network platform.

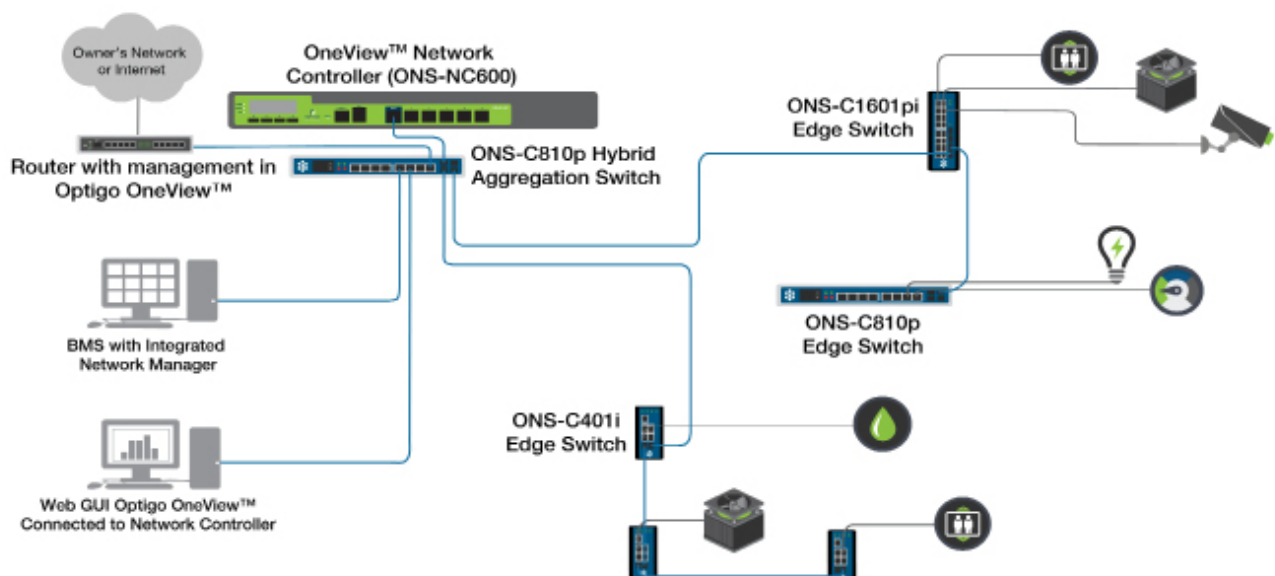
Optigo Connect Hybrid is highly adaptive to any network needs. The solution uses select Edge Switches — the ONS-C401i, ONS-C801pi, ONS-C810p, and ONS-C2401i — as Hybrid Aggregation Switches. With both small and large form factors, and ports ranging from four (4) to 24, Optigo Connect Hybrid connects systems of all sizes. Optigo Connect Hybrid also supports any cabling mode that can pass traffic, in any combination of media across the network.



## Product highlights

- **Flexibility** to use any cabling, whether multi-mode fiber, single-mode fiber, copper (CAT6) Ethernet, or any combination..
- **User-friendly interface** involves zero text commands to set up, manage, or commission the network.
- **Auto-recognition** gets Edge Switches and Router online right away, as soon as you plug them in.
- **Minimal IT training** required to manage the network.
- **Single pane of glass network management** lets users configure all network ports and IP subnets from a single interface.

## Smart building network platform solutions map



For the Hybrid solution, users will still deploy an ONS-NC600 Network Controller, but will pair it with an Edge Switch as the Aggregation Switch. Only certain Edge Switches (the ONS-C401i, ONS-C810p, ONS-C801pi, or ONS-C2401i) can be used as the Aggregation Switch.

## Advanced management with Optigo OneView™

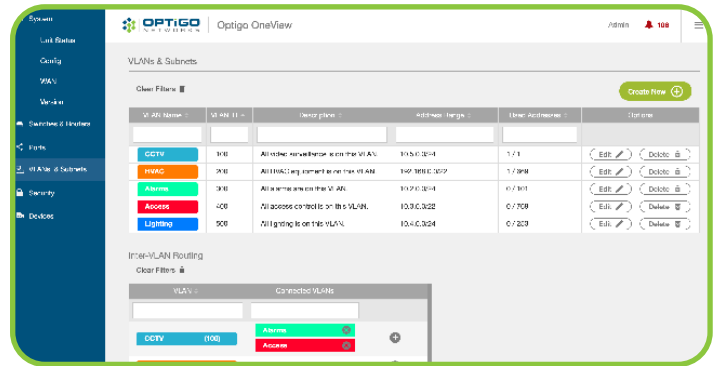
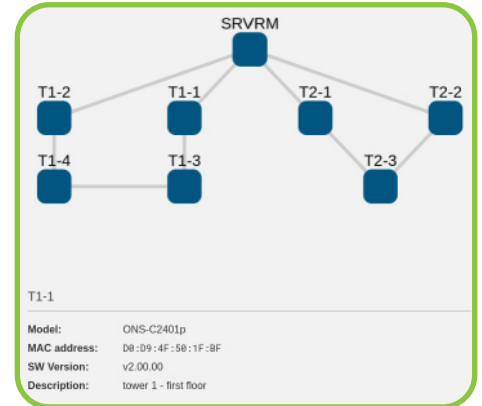
Optigo OneView™ lets users manage the entire network through a single interface. View the network topology at the touch of a button to see how switches are chained together.

Using the supported router (available for order through Optigo) users can even enjoy the power and ease of multi-layer network management in one centralized dashboard. View tens to thousands of ports and IP addresses in a simple dashboard, with responsive search filters and sorting functions.

Enjoy simple and fast configuration, diagnostic reports, firmware upgrades, or even switch resets. Configure multiple IP subnets, DHCP and routing rules all through Optigo OneView.

Set up and manage VLANs to segregate traffic and secure the network. With color-coding, naming, and description functions in OneView, tracking and organizing VLANs is a breeze.

OneClick Secure™ ensures complete port security with instant MAC lockdown and disabling of all unused ports to prevent cyberattacks.



## Components of Optigo Connect Hybrid solution

COMPONENTS OF A SMART BUILDING NETWORK PLATFORM: OPTIGO CONNECT HYBRID		
OPTIGO ONEVIEW™ NETWORK CONTROLLER	Centralized network management and monitoring for all Edge Switches and supported routers.	
AGGREGATION SWITCH	Aggregates traffic and connects to the Network Controller. The Optigo Connect Hybrid solution uses the ONS-C401i, ONS-C810p, ONS-C801pi, or ONS-C2401p as the Aggregation Switch.	
EDGE SWITCHES	Robust line-up of commercial and industrial Edge Switches, optimized for OT applications.	
ROUTER	Powerful features and functionality in an OT-friendly system to assign IP addresses, troubleshoot, and roll out software updates.	