

## Monitor every network in your BACnet System

The BACnet Capture Tool allows you to easily capture BACnet IP and BACnet MS/TP traffic throughout your network.

Use the BACnet Capture Tool to:

- Automatically capture and analyze data from IP and MS/TP networks on an ongoing basis
- Pinpoint intermittent and ongoing problems throughout your network
- Receive alerts when your Network Health changes, and diagnose the problem from anywhere
- Troubleshoot your MS/TP network without having to break it apart

To configure the device, simply log into your Visual BACnet™ account, add a site, and then connect the BACnet Capture Tool to the cloud using Optigo's unique cloud-link API key.

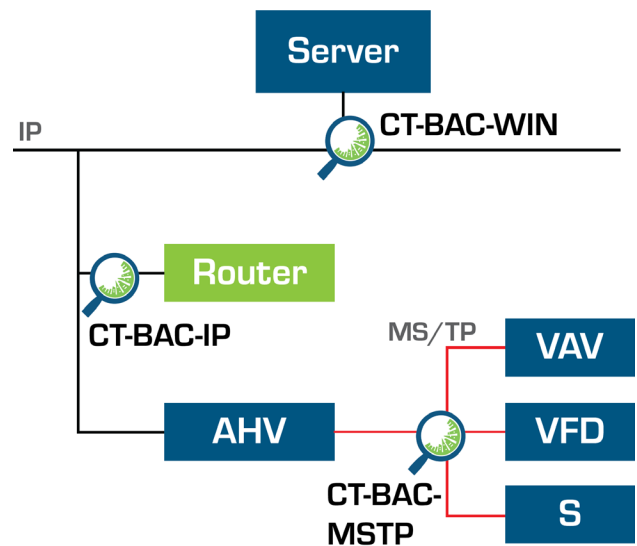
## Product Highlights

- **Capture traffic** from MS/TP or IP networks.
- **Trigger one-time captures or schedule** recurring captures hourly, daily, weekly, or monthly using the easy to use Web interface.
- **Upload** directly to Visual BACnet, or accumulate captures offline to upload later. The 100 most recent captures can be stored until a network connection is available.

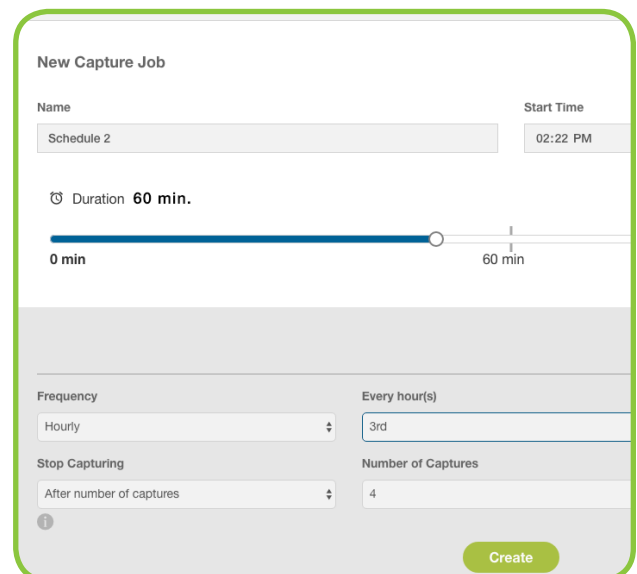
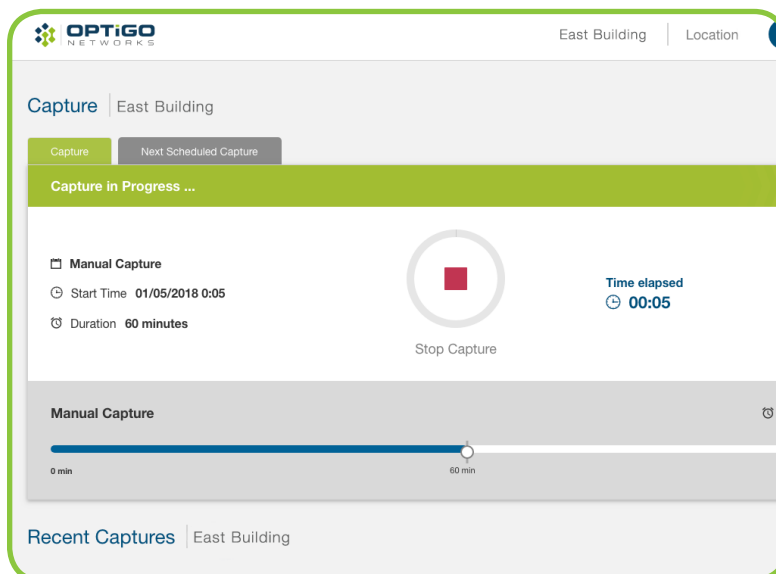
## Capture BACnet Data



CT-BAC-MSTP BACnet Capture Tool with MS/TP Adapter



Capture BACnet IP and BACnet MS/TP traffic in your network

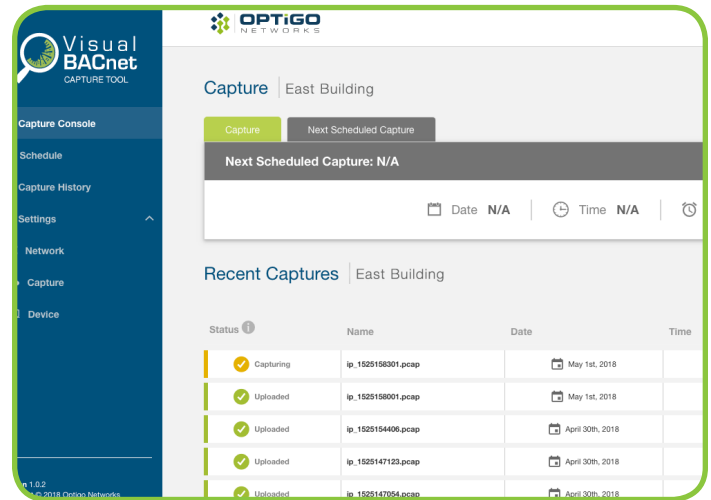
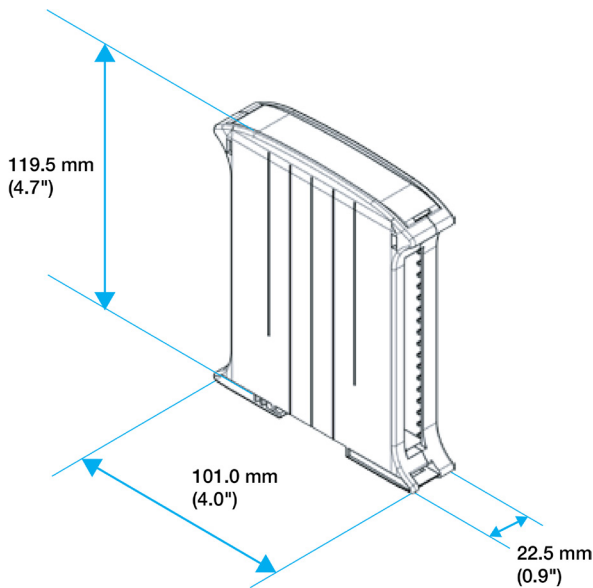


# BACnet Capture Tool Specifications

PORTS AND PHYSICAL CHARACTERISTICS	
FORM FACTOR	DIN Rail Mount
ETHERNET PORTS	1 × 10/100/1000 + USB to Ethernet Adapter for CT-BAC-IP
USB SUPPORT	4 × USB 2.0
POWER	5V DC
COLOR	Grey
DIN RAIL TYPE	EN 60715 NORM
MATERIAL	PC/ABS self-extinguishing
OPERATING ENVIRONMENT	0°C ~ 40°C (32°F ~ 104°F) 5–90% Humidity (non-condensing)
STORAGE ENVIRONMENT	-20°C ~ 70°C (-4°F ~ 158°F) 5–95% Humidity (non-condensing)
DIMENSIONS	119.5 mm × 101.0 mm × 22.5 mm (4.7" × 4.0" × 0.9")
WEIGHT	0.3 kg (0.66 lb)
CERTIFICATIONS	UL, CE Class A, FCC Class A, RoHS

USER INTERFACE	
SOFTWARE	BACnet Capture Tool Web GUI
UPDATE	SW Update via Cloud (Internet connection required)
WEB BROWSER SUPPORT	Google Chrome (Windows, Mac, and Linux)
SYSTEM AND NETWORKING FEATURES	
PROCESSOR	Broadcom BCM2837 64-bit ARMv7 Quad Core processor powered Single Board Computer running at 1.2 GHz
WIFI	Not supported
SYSTEM MEMORY	1 GB RAM
SD CARD	16 GB
SINGLE BOARD COMPUTER	RPI3B+

## Capture Tool Dimensions



## Ordering Information

CT-BAC-MSTP	BACnet Capture Tool with MS/TP adapter.
CT-BAC-IP	BACnet Capture Tool with IP adapter.